

Fast And Easy Installation Instructions



Back Bumper

Brand: Artic Cat

Model: 400 VP

Year: 2006

Product #: 166-206

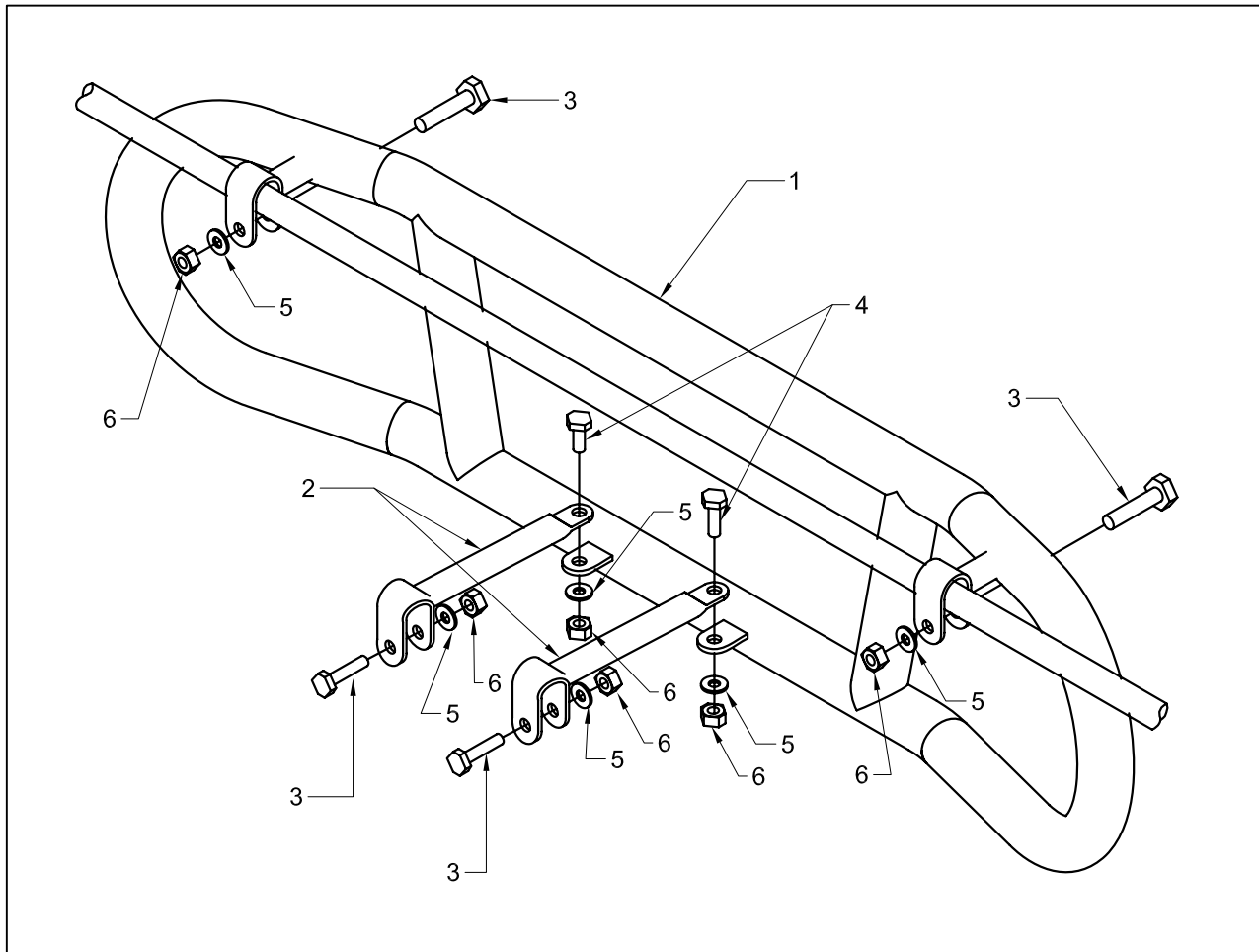
Step 1 : Locate rear rack & rear frame of ATV.

Step 2 : Attach hardware as in drawing.

#	Item Description	Qty
1	Bumper	1
2	Brackets	2
3	1 1/2" x 5/16" Bolts	4
4	3/4" x 5/16" Bolts	2
5	Washer 5/16"	2
6	Lock nut 5/16"	6

It's that easy you're done

Note:



ATVenture Components Inc

23 Boom Lane, Unit E
Atholville, NB, Canada, E3N 4E8
www.atv-bumpers.com



F-7.5. 1-02-00

Approval Date: 10/02/2009
Initial: TLG
Rev: 00